

GROVE

BAUEINHEITENUEBERSICHT OBERWAGEN
 ASSEMBLY GROUPS-CONTENTS SUPERSTRUCTURE

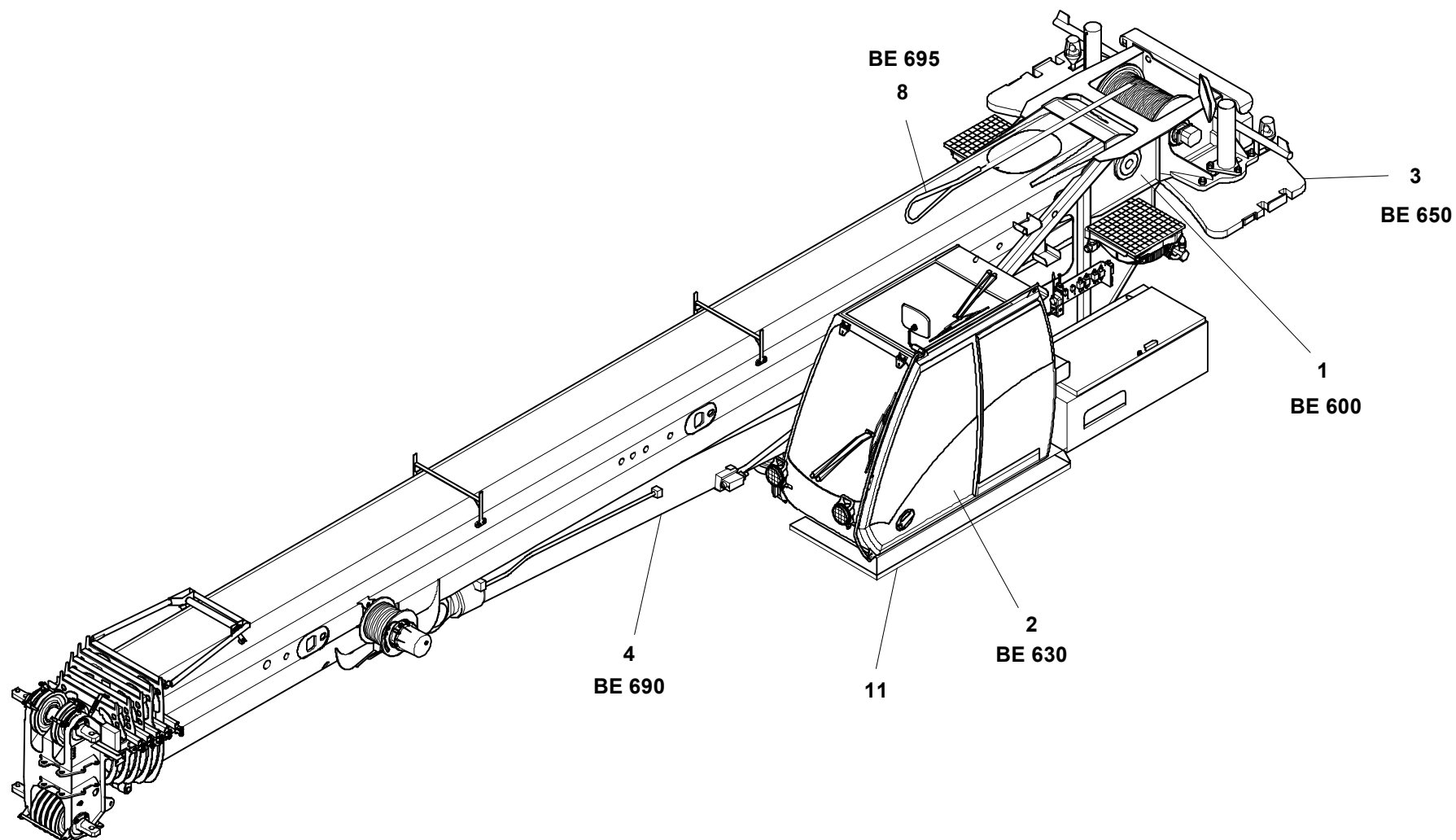
BILDТАFЕL
 PICTORIAL DISPLAY

GMK 4080

11.05

3117490-ETL A

2/2



3117490-0-BL02-1105-4080